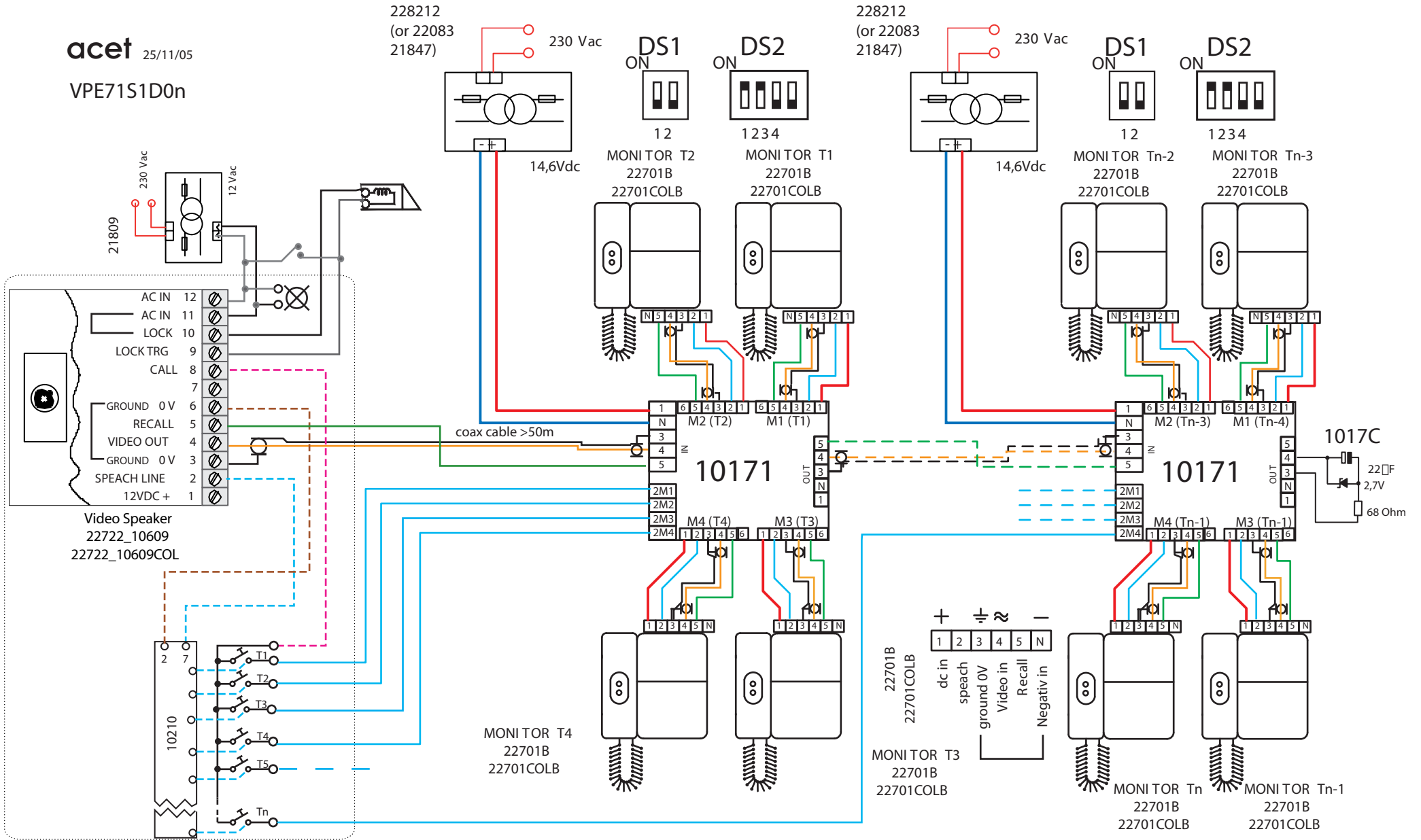


acet 25/11/05
VPE71S1D0n



228212 = 14,6Vdc 800mA = 1 or 2 monitor for apartment, max 3 10171
 old power supply (out of production):
 21847 = 13,4Vdc 1,4A = 1, 2 or 3 monitor for apartment, max 3 10171
 22803 = 13,8Vdc 400mA = 1 for apartment, max 2 10171